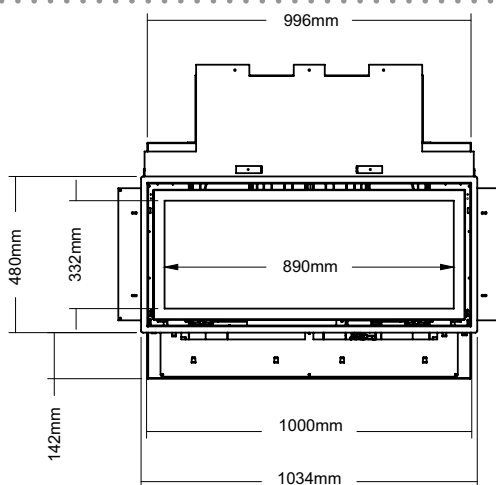
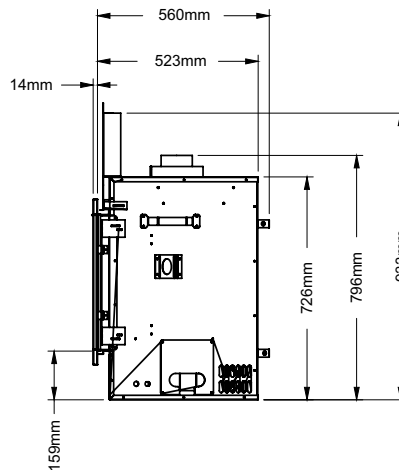
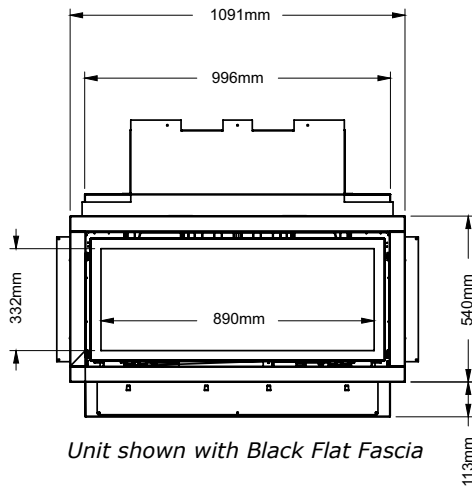
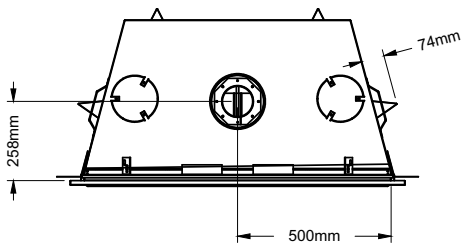
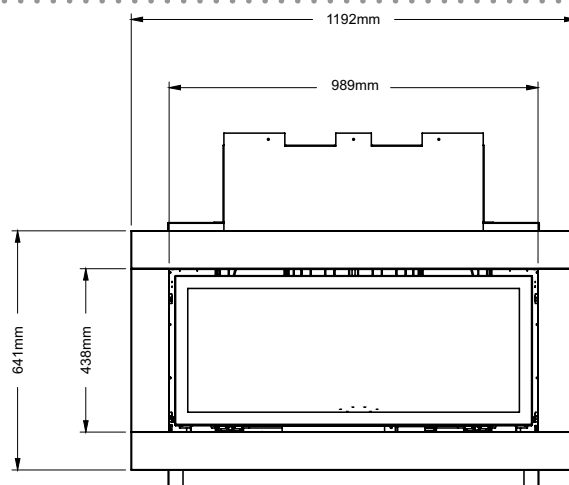


Greenfire® GF950L-2 Gas Fireplace

Model	GF950L-NG-2	GF950L-LP-2	GF950L-ULPG-2
Fuel Type	Natural Gas	Propane	Propane
Gas Consumption	35 mj.	28 mj.	28 mj.
Manifold Pressure	0.87 kPa	2.49 kPa	2.49 kPa
Injector Size	#35	#53	#53



Unit with Finishing Trim - Flush Finish



Black Premium Glass Fascia

GF950L-2 Gas Fireplace

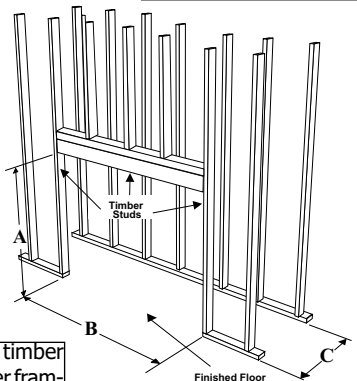
Framing Dimensions

IMPORTANT NOTE:

This unit can be finished with combustible facing material of thickness range 10-19mm OR non-combustible facing material of a minimum thickness 12mm.

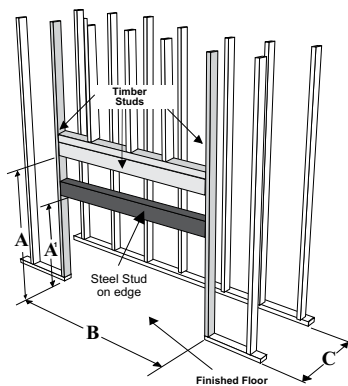
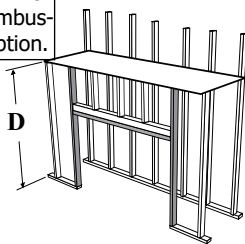
Framing Dimensions	Description	GF950
A	Framing Height	940 mm combustible finish
A ¹	Framing Height -Steel Stud	756mm non combustible steel stud
B	Framing Width	1127 mm
C	Framing Depth	552 mm
D	Minimum Height to Combustibles	1156 mm
E	Corner Wall Depth	1273 mm
F	Corner Facing Wall Width	1800 mm
G	flue Centerline Height	991 mm
H*	Non-combustible facing height	*see non-combustible facing height in this manual
I	Gas Connection Opening Height	38 mm
J	Gas Connection Height	67 mm
K	Gas Connection Inset	44 mm
L	Gas Connection Opening Width	89 mm

NOTE: A minimum thickness of 12mm non-combustible facing board compliant with AS1530-1 and AS1530-3 is required when using the non combustible flush finishing option.
 A minimum thickness of 10mm-19mm combustible facing board is required when choosing the combustible flush finishing option.
 Note: must maintain 13mm air gap all around the perimeter of the appliance when choosing this option.

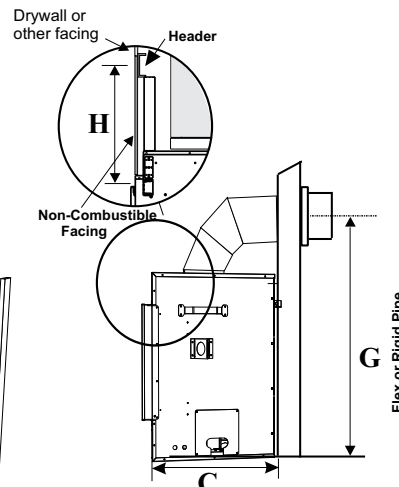


Combustible flush finishing Framing

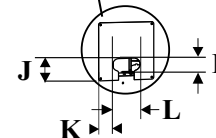
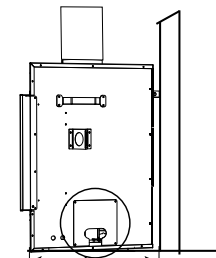
NOTE: Do not place timber studs below the timber framing studs already in place. Additional steel studs must be added as shown when choosing the non combustible flush finishing option.



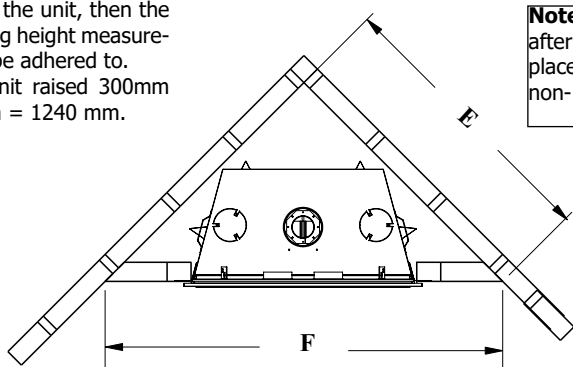
Non-combustible Flush Finishing Framing



Flex or Rigid Pipe



Note: If raising the unit, then the minimum framing height measurement (A) must be adhered to. For example: Unit raised 300mm then A+ 300mm = 1240 mm.



Note: Steel stud must be installed after unit has been positioned in place and prior to installation of non-combustible finishing.

Clearances

The clearances listed below are minimum distances unless otherwise stated:

A major cause of chimney related fires is failure to maintain required clearances (air space) to combustible materials. It is of the greatest importance that this fireplace and flue system be installed only in accordance with these instructions.

Caution Requirements
The top, back and sides of the fireplace are defined by standoffs. The metal ends of the standoff may **NOT** be recessed into combustible construction.

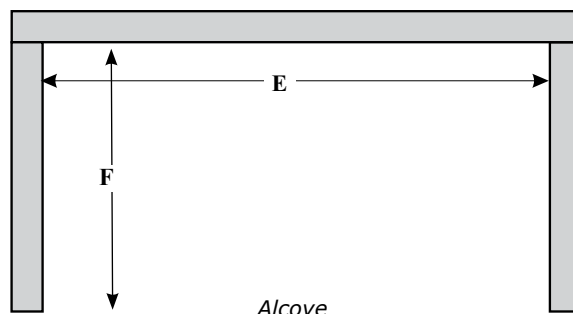
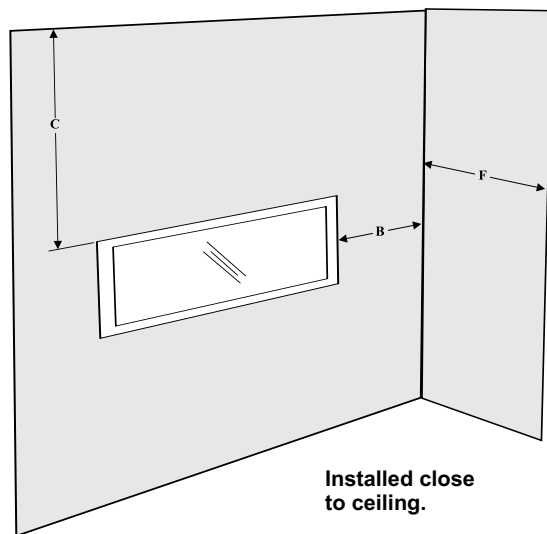
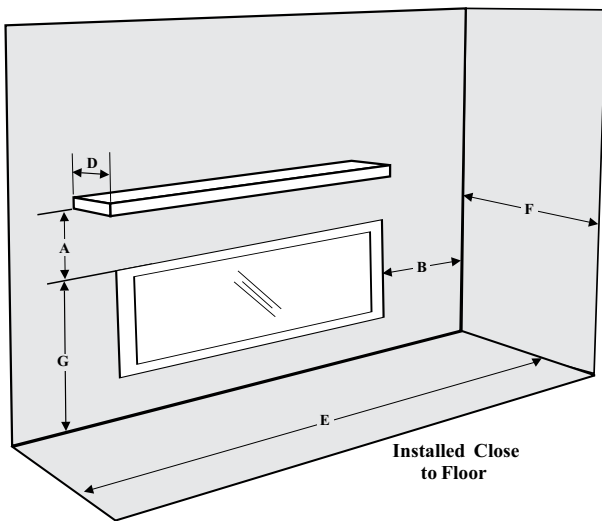
WARNING
Fire hazard is an extreme risk if these clearances (air space) to combustible materials are not adhered to. It is of greatest importance that this fireplace and flue system be installed only in accordance with these instructions.

Clearance:	Dimension	Measured From:
A: Mantel Height (min.)	191mm	Top of Fireplace Opening (Hot Air Outlet)
B: Sidewall (on one side)	146mm	Side of Fireplace Opening
C: Ceiling (room and/or alcove)	1003mm	Top of Fireplace Opening
D: Mantel Depth (max.)	305mm	420mm Above Fireplace Opening
E: Alcove Width	1480mm	Sidewall to Sidewall (Minimum)
F: Alcove Depth	787mm	Front to Back Wall (Maximum)
G: From Floor	605mm	Top of Fireplace Opening (Hot Air Outlet)
Note:	0	No hearth required

NOTE: The unit can be installed onto a combustible base.

Flue Clearances to Combustibles	
Horizontal - Top	76mm
Horizontal - Side	51mm
Horizontal - Bottom	51mm
Vertical	51mm

IMPORTANT: If installing a television above this appliance, the television must be either fully recessed into the wall above the fireplace and or have a mantle below the television. If the television is left unprotected, the extreme heat being emitted from this appliance will result in damage to the television. See clearance requirements for both mantle and or enclosing the top of the appliance in this manual.

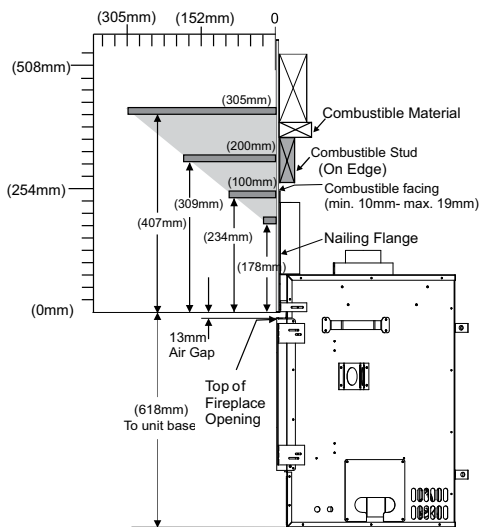


GF950L-2 Gas Fireplace

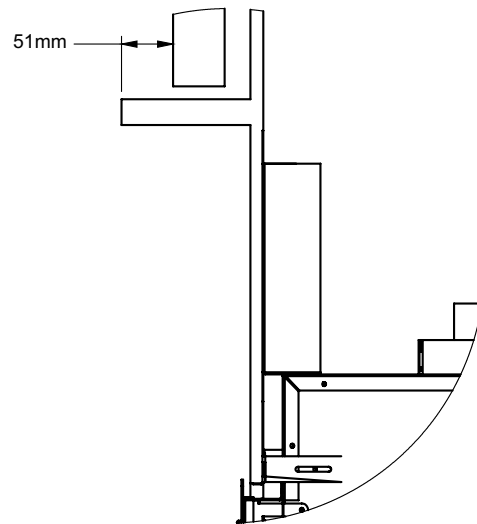
TV or Artwork with Mantel

- The mantel is required to sit 51mm out from the edge of the TV or artwork.
- 247mm from the top of the fireplace to the mantel will be suitable in most cases when installing a TV above the fireplace, actual height will depend on depth of TV. Note that the measurements below are taken from the top of the 13mm air gap, measurements from top of fireplace need to add 13mm (234mm + 13mm = 247mm)

Mantel Height

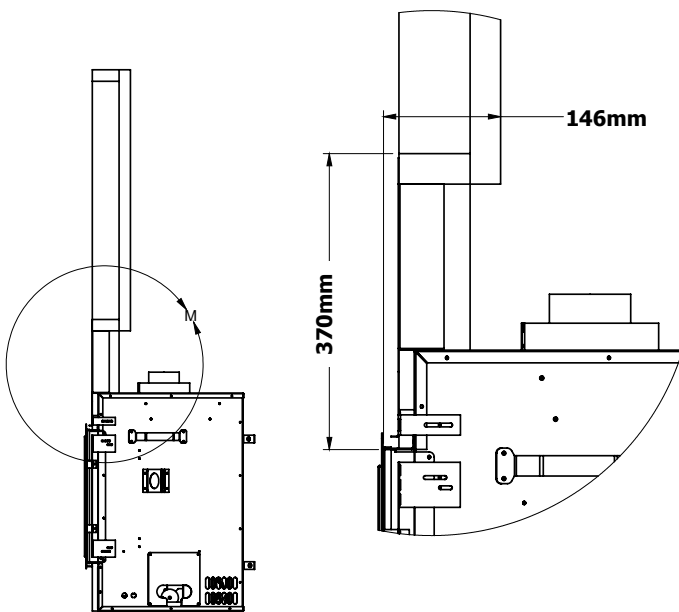


Mantel Width



TV or Artwork Recessed

- Maximum recess into the wall is 146mm.
- Minimum height from the top lip of the fireplace is 370mm.



GF950L-2 Gas Fireplace

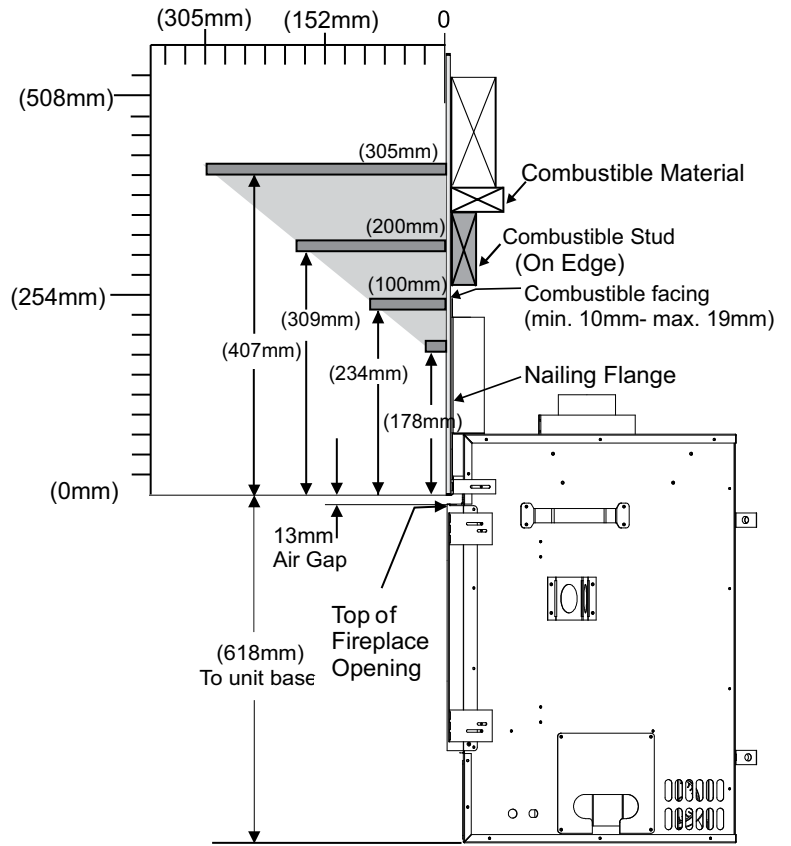
Clearances for Combustible Finishing with Mantel

Due to the extreme heat this fireplace emits, the mantel clearances are critical.

Combustible finishing and mantel clearances are shown in the diagram on the right. Finishing Trim must be used with combustible finishing.

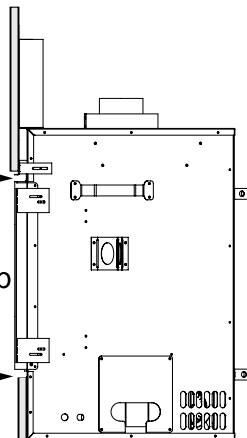
Note: Maximum combustible finishing material thickness is 19mm measured from the front of the fireplace opening. If total finishing material is greater than 19mm, non-combustible must be used.

Note: Ensure the paint that is used on the mantel and the facing is "high quality" or the paint may discolour.



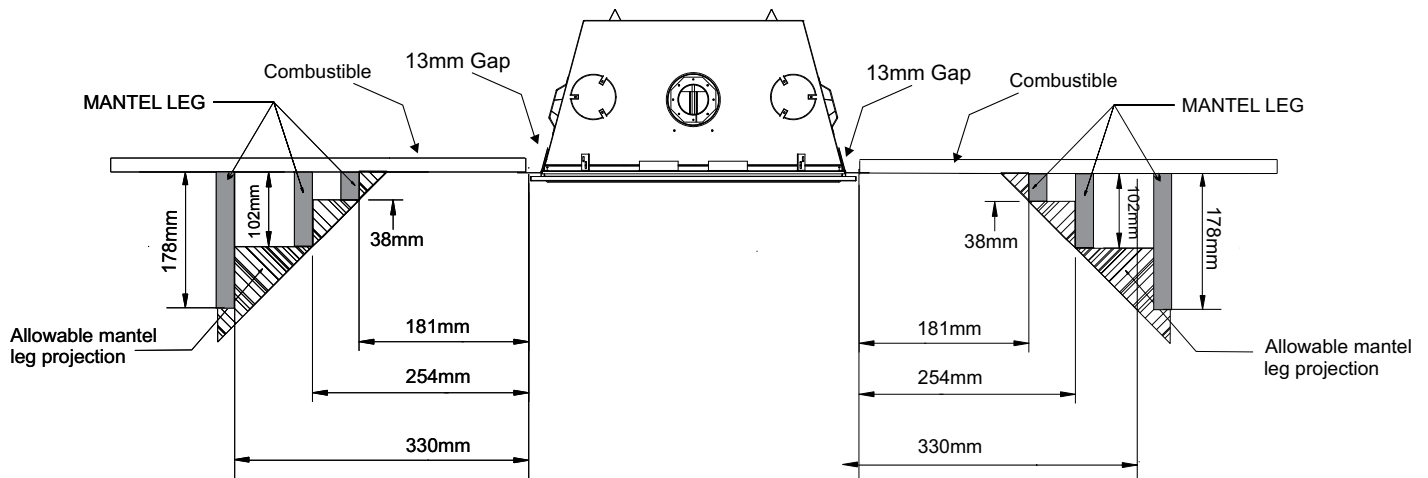
Important:

maintain a 13mm gap all round



Combustible Mantel Leg Clearances

Mantel leg & combustible finishing clearances as per diagram:



GF950L-2 Gas Fireplace

Flueing Introduction (Non Power Flue)

The GF950L-2 uses the "balanced flue" technology Co-Axial system. The inner liner flues products of combustion to the outside while the outer liner draws outside combustion air into the combustion chamber thereby eliminating the need to use heated room air for combustion and losing warm room air up the chimney.

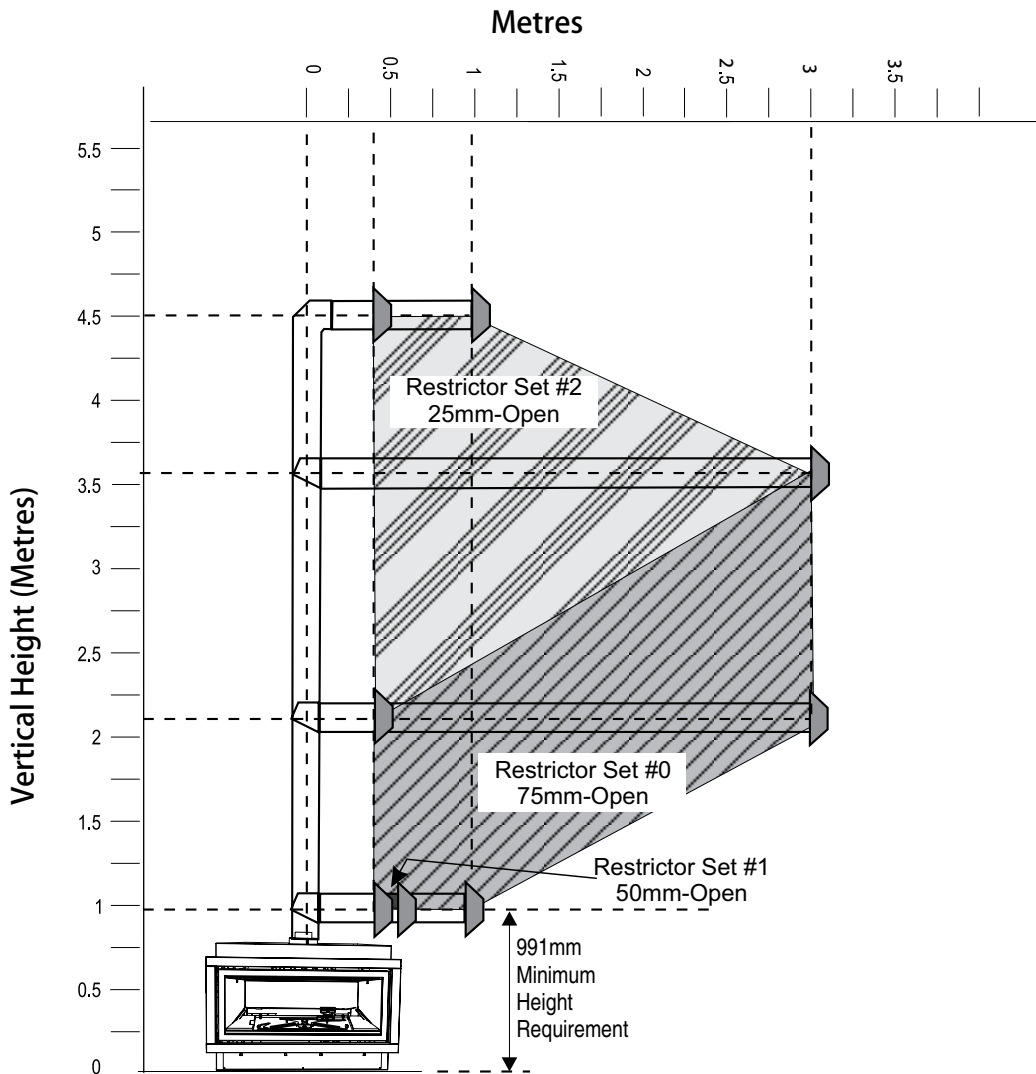
Note: These flue pipes must not be connected to any other appliance.

The gas appliance and flue system must be vented directly to the outside of the building, and never be attached to a chimney serving a separate solid fuel or gas burning appliance. Each direct vent gas appliance must use it's own separate flue system. Common flue systems are prohibited.

Flueing Arrangement for Horizontal Terminations

The diagram shows all allowable combinations of vertical runs with horizontal terminations, using one 90° (two 45° elbows equal one 90° elbow).

Note: Must use optional rigid pipe adapter (Part# 510-994) when using Simpson Dura Vent Only.



FLUE RESTRICTOR SETTING:

Flue restrictor factory set at Set 0.

Refer to the "Flue Restrictor Position" section for details on how to change the flue restrictor from the factory setting of Set 0 to Set 1 if required.

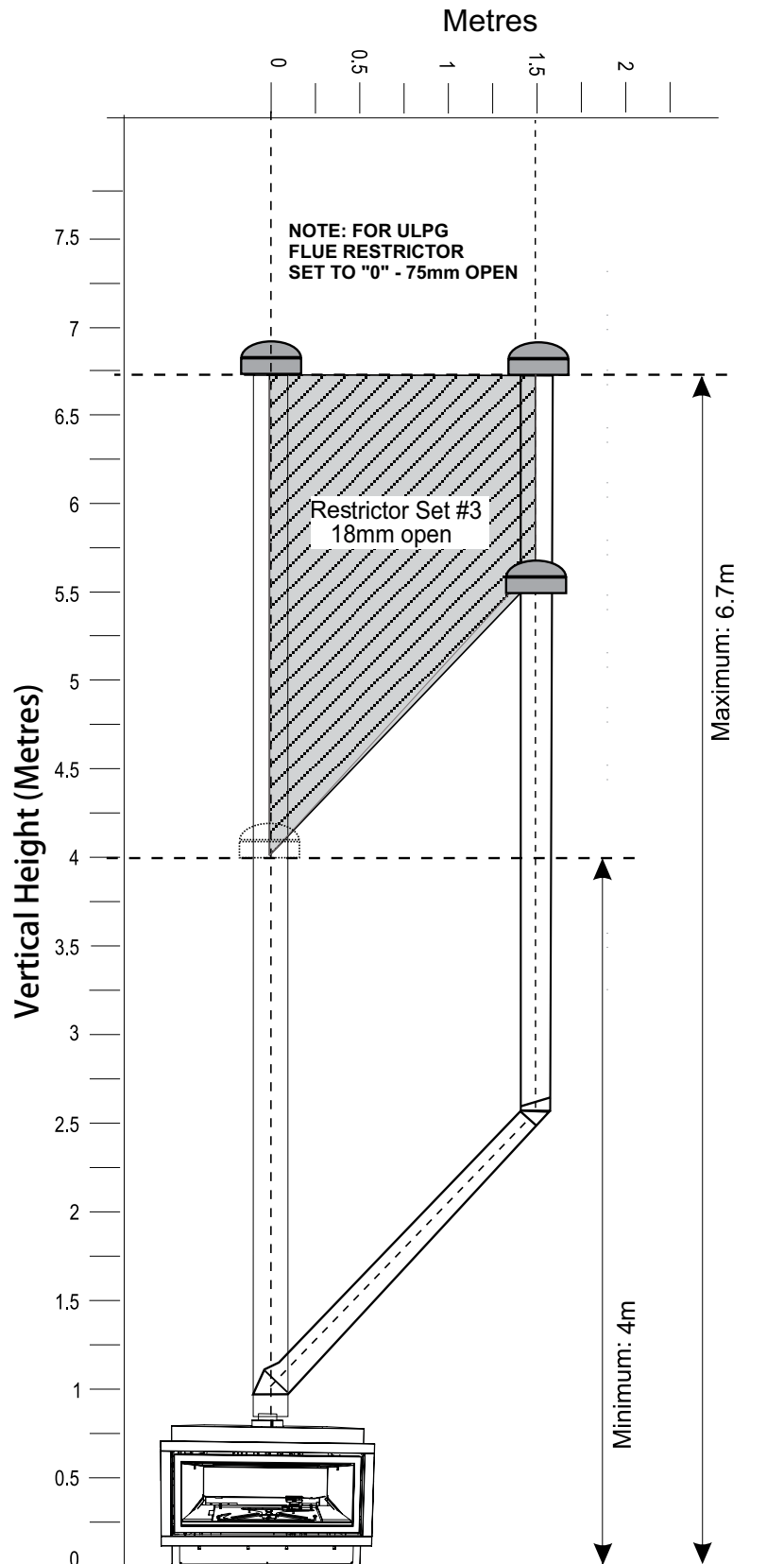
- Maintain clearances to combustibles as listed in "Clearances" section
- Horizontal flue must be supported every 0.9m
- A flue guard should be used whenever the termination is lower than the specified minimum or as per local codes.
- Flex system can only be used up to 3m in total length- otherwise rigid flueing must be used.

GF950L-2 Gas Fireplace

Flueing Arrangement for Vertical Terminations (Non Power Flue) Vertical Flueing with Two (2) 45° Elbows

The shaded area in the diagram shows all allowable combinations of straight vertical and offset to vertical terminations, using two 45° elbow, with **Rigid Pipe Flueing Systems**.

- Flue must be supported at offsets.
- Minimum distance between elbows is 305mm.
- Maintain clearances to combustibles as listed in the "Clearances" section in the manual.
- Horizontal flue must be supported every 1M.
- Refer to the "Flue Restrictor Position" section for details on how to change the flue restrictor from the factory setting of Set 0 or Set 3 if required.
- Note: For ULPG Flue Restrictor - Set to "0" - 75mm open.
- Vertical rigid flue kit 3.6mtr (946-640)
- Flexible vertical flue kit 6mtr (946-768)



GF950L-2 Gas Fireplace

Flueing Arrangement for Vertical Terminations - Inline Power Flue
Vertical Flueing with Straight Vertical Flueing and or with a Max. of Six (6) 90° Elbows (1 - 90° = 2 - 45°)

Note: Rigid pipe is approved for up to 18 m.

Note: Flex pipe is approved for up to 12 m using 1 X 946-756 = Vertical Flex Extension / Horizontal Power flue (6 m)

1 X 946-755 = Vertical Flex kit for inline power flue (6 m) (includes Cowl)

The gas power flue system is designed to allow the installation of a gas appliance when typical natural vent configurations (shown in this manual) are not possible.

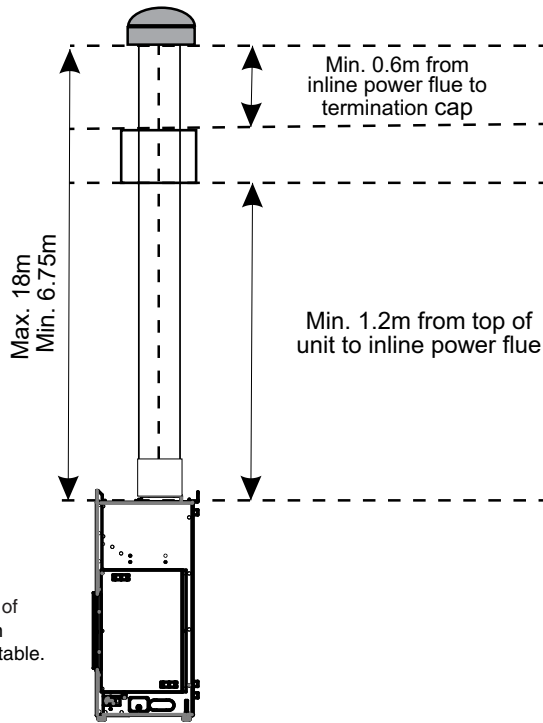
- Two 45° elbows equal to one 90° elbow.
- Flue must be supported at offsets.
- Minimum distance between elbows is 305mm.
- Maintain clearances to combustibles as listed in the "Clearances" section.
- Horizontal flue must be supported every 0.9 m.
- Firestops are required at each floor level and whenever passing through a wall.

Flue Restrictor set on 3 (18mm).

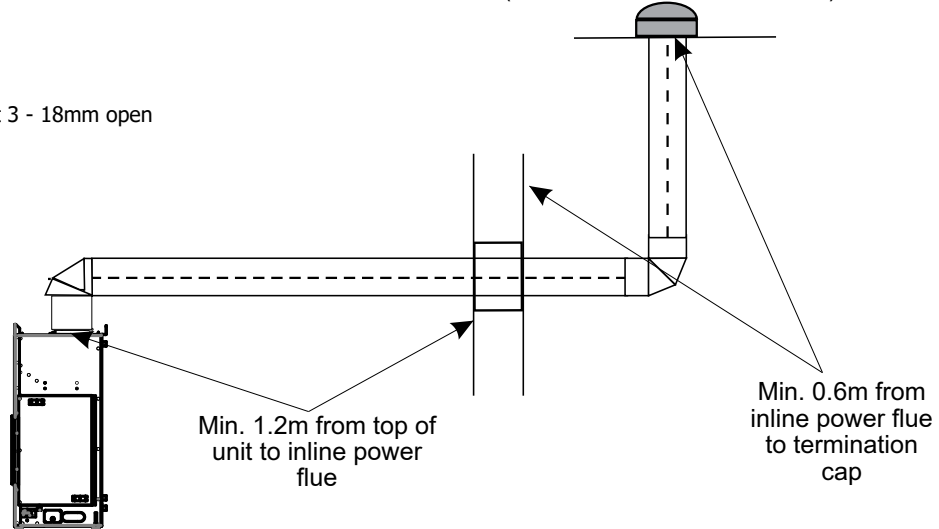
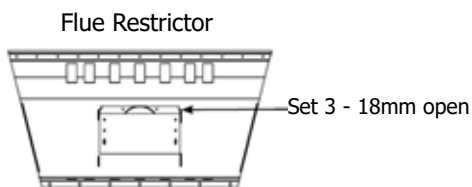
Inline power flue location restrictions:

- Minimum 1.2m from the unit.
- Minimum 0.3m prior to an elbow.
- Minimum 0.3m following an elbow.
- Minimum 0.6m prior to a termination cap.
- Minimum 0.6m from inline power flue to termination cap.
- Minimum 1.2m from top of unit to inline power flue.
- Max of 18m, using up to six 90° elbows. Rigid pipe only. 12m for flex (Note: example shows two 90° elbows).
- No negative runs.

IMPORTANT: The inline power flue must be installed within the confines of the home/structure and **must** be accessible for future servicing. An access hole as noted in this manual or an attic space would be suitable.



Max. of 18m, using up to six 90° elbows (Note: two 90° elbows shown.)



GF950L-2 Gas Fireplace

Flueing Introduction (Inline Power Flue)

The GF950L uses the "balanced flue" technology Co-Axial system. The inner liner flues products of combustion to the outside while the outer liner draws outside combustion air into the combustion chamber thereby eliminating the need to use heated room air for combustion and losing warm room air up the chimney.

The gas appliance and flue system must be vented directly to the outside of the building, and never be attached to a chimney serving a separate solid fuel or gas burning appliance. Each direct vent gas appliance must use it's own separate flue system. Common flue systems are prohibited.

IMPORTANT:The inline power flue must be installed within the confines of the home/structure and must be accessible for future servicing. An access hole as noted in this manual or an attic space would be suitable.

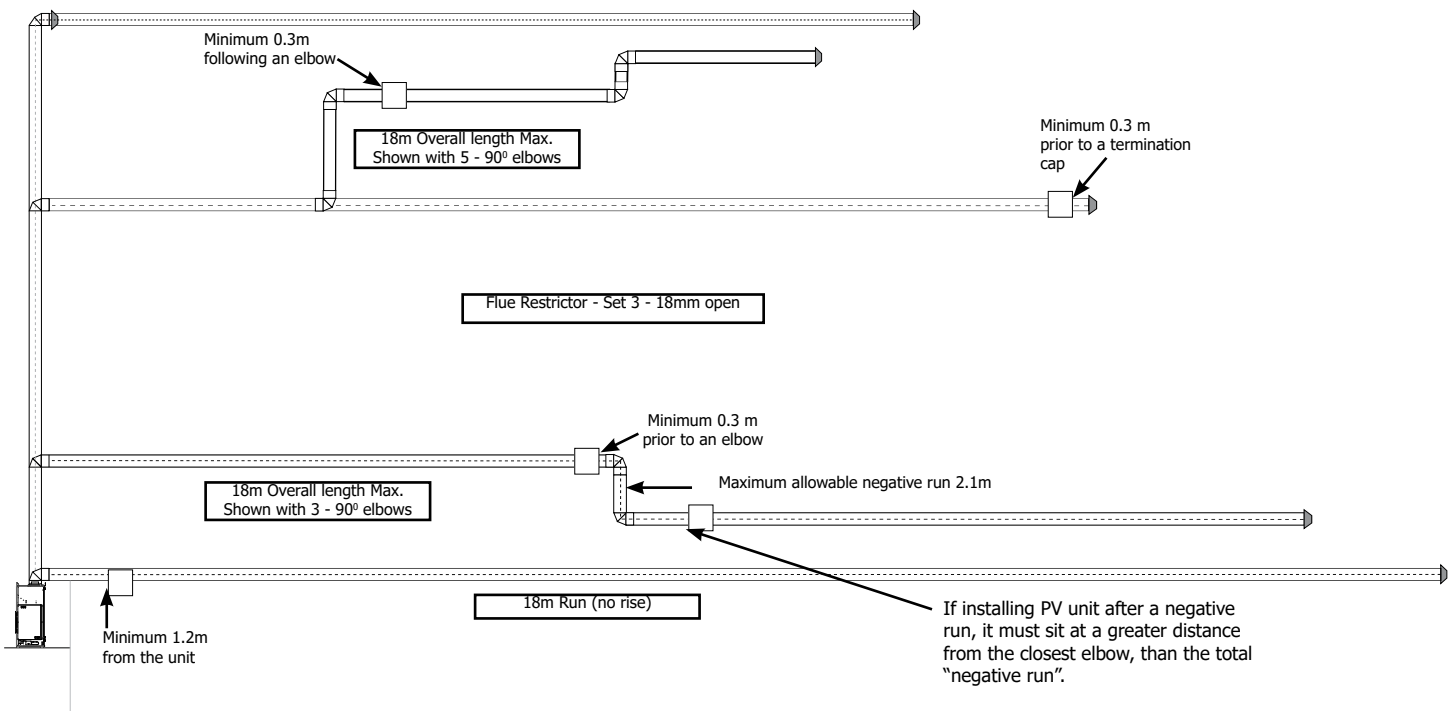
Flueing Arrangements for Horizontal Terminations

Inline Horizontal Flue Chart

Note: Rigid pipe is approved for up to 18m.

Note: Flex pipe is approved up to 12m using 2x946-756 - 6m flex kits.

The gas power flue system is designed to allow the installation of a gas appliance when typical natural flue configurations (shown in this manual) are not possible.



Important:

Maximum total flue length = 18m maximum of six - 90° elbows permitted.

One 90° elbow = two 45° elbows.

Maximum total negative flue length = 2.1m.

Note: Maximum length of 18 meters is based on overall length of combined chimney components.

Do not run positive flueing after a negative run.

Inline power flue location restrictions:

Minimum 1.2 m from the unit

Minimum 0.3 m prior to an elbow.

Minimum 0.3 m following an elbow.

Minimum 0.3 m prior to a termination cap.

When the inline blower is installed after a negative run, for every foot of negative run the inline blower must be an equal distance or greater from the 90-degree elbow. See example above.

GF950L-2 Gas Fireplace

Flueing Arrangement for Horizontal Terminations (End of Line Power Flue)

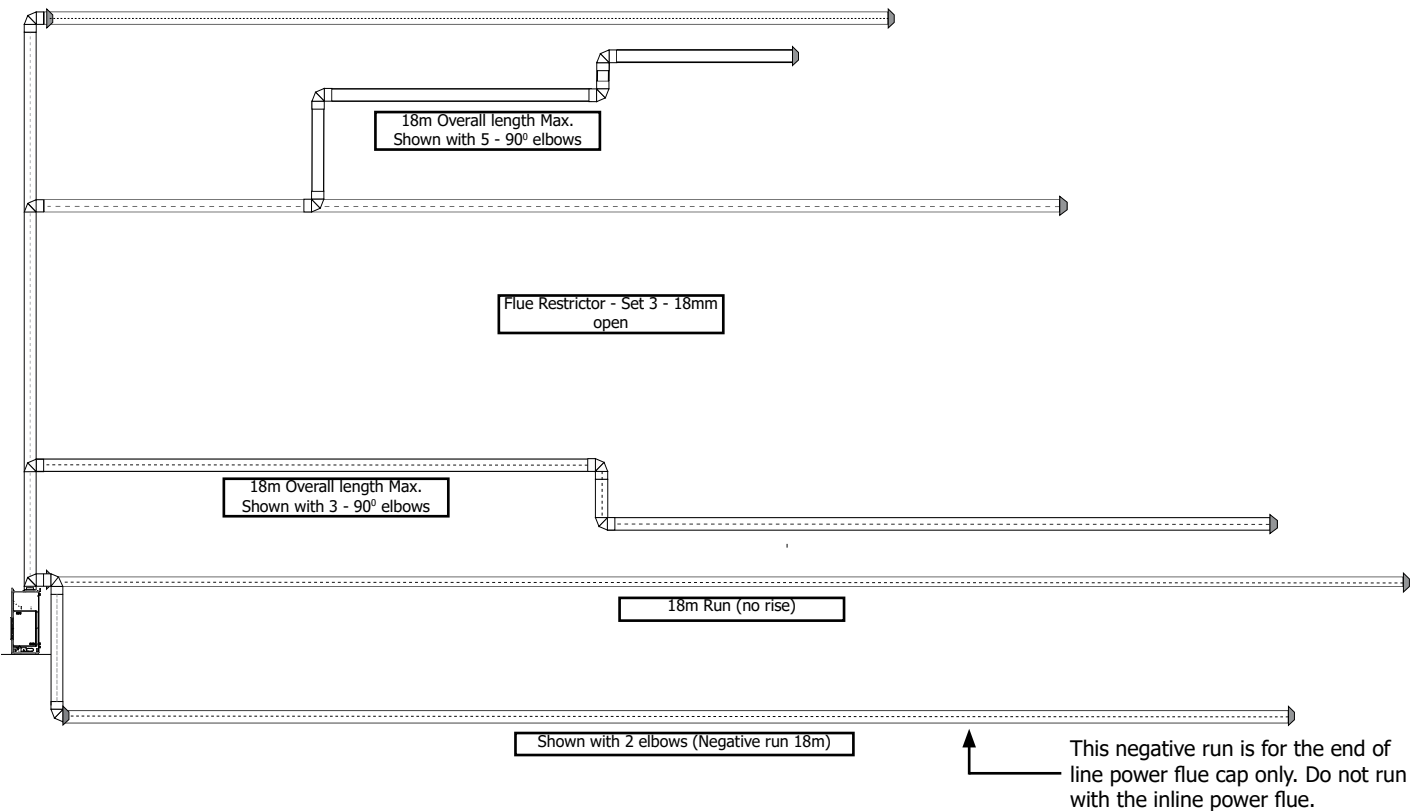
The GF950L-2 uses the "balanced flue" technology Co-Axial system. The inner liner flues products of combustion to the outside while the outer liner draws outside combustion air into the combustion chamber thereby eliminating the need to use heated room air for combustion and losing warm room air up the chimney.

The gas appliance and flue system must be vented directly to the outside of the building, and never be attached to a chimney serving a separate solid fuel or gas burning appliance. Each direct vent gas appliance must use it's own separate flue system. Common flue systems are prohibited.

**Flueing Arrangements for Horizontal Terminations
End of Line Horizontal Power Flue Flue Chart**

Note: Rigid pipe is approved for up to 18m.
Note: Flex pipe is approved for up to 12m using 2 X 946-756 - 6m flex kits.

The gas power flue system is designed to allow the installation of a gas appliance when typical natural flue configurations are not possible. Must be terminated horizontally. Vertical terminations are not permitted.



Important:

Maximum total flue length = 18m maximum of six - 90° elbows permitted.
One 90° elbow = two 45° elbows.
Maximum total negative flue length = 2m.

Note: Maximum length of 18m is based on overall length of combined chimney components.

Do not run positive flueing after a negative run.

Inline power flue location restrictions:

- Minimum 1.2 m from the unit
- Minimum 0.3 m prior to an elbow.
- Minimum 0.3 m following an elbow.
- Minimum 0.3 m prior to a termination cap.